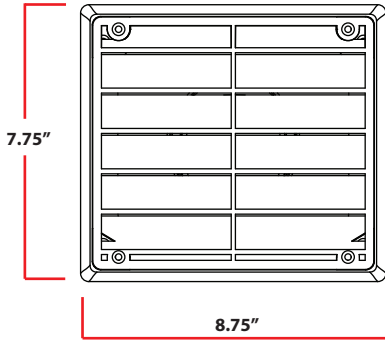




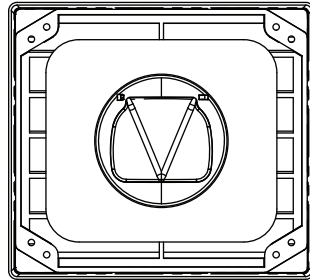
EXHAUST VENTILATION

4" sleeve shown, 6" sleeve is available

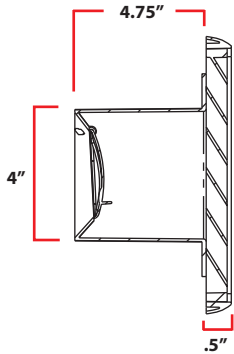
FRONT FACE



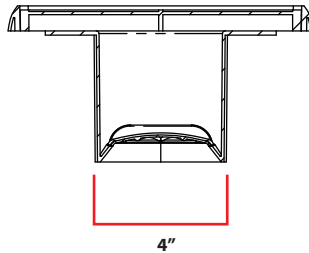
REAR VIEW



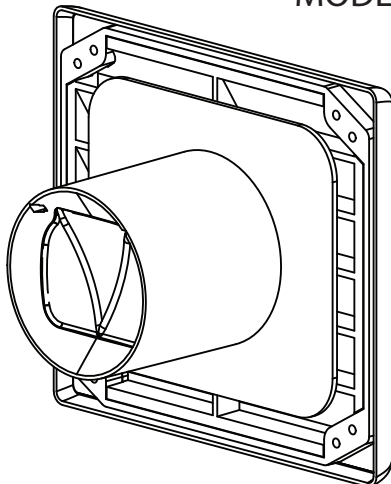
SECTIONAL SIDE VIEW



SECTIONAL TOP VIEW



REAR PERSPECTIVE VIEW



MODEL # 4ILS-8F

TECHNICAL SPECIFICATIONS

MODEL # 4ILS-8F (IN-LINE SLEEVE)

PERFORMANCE DATA

For Use:

- Dryer exhaust
- Bathroom exhaust
- Kitchen hood exhaust
- Other devices that require exterior exhaust



Materials:

- Constructed from high temperature plastic.
- Material tested for use on high temperature appliance devices or components. (max sustainable operational temperature at 235°)
- UL 94-VO flame spread rating
- All materials made and fully assembled in the USA

GENERAL INFORMATION

Benefits:

- Prevents exterior air from entering interior area
- Prevents mold & mildew*
- Eliminates water intrusion**
- Sold assembled
- Two step installation
- Greatly reduces labor cost
- Fits duct sizes up to 4" diameter
- 100% non corrosive material
- Sleeve designed not to interfere with structural reinforcement of exterior masonry walls

*with proper interior environmental conditions

**in accordance with manufacturer recommendations

Features:

- Interior monolithic cavity, positive pitch sidewalls
- Mounted flush with exterior building surface
- Paintable
- Gravity back draft dampers
- Removable front louver for periodic maintenance and inspections
- Face louver is attached with four stainless steel screws
- Impact resistant
- UV stabilized
- Available in White or Grey
- Designed for post construction installation

MANUFACTURER

FSH Industries, LLC
9737 N.W. 41st Street Suite 672
Miami, Fl. 33178-2924

sales@xventbox.com
www.xventbox.com