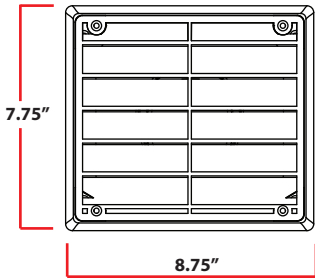


# XventBox®

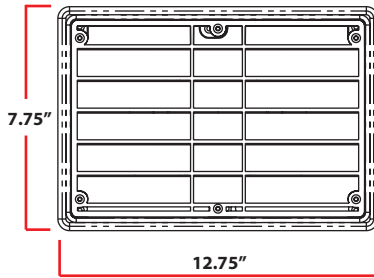
## EXHAUST VENTILATION

6" sleeve shown, 4" sleeve is available

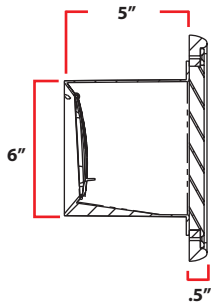
FRONT FACE (8" x 8")  
(6ILS - 8F)



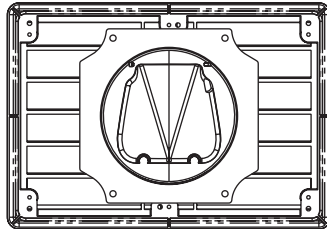
FRONT FACE (12" x 8")  
(6ILS - 12H)  
(6ILS - 12V)



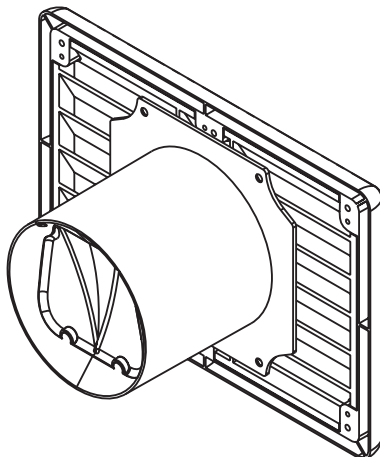
SECTIONAL SIDE VIEW



REAR VIEW



REAR PERSPECTIVE VIEW



MODEL # 6ILS-12H

## TECHNICAL SPECIFICATIONS

### MODELS

- **6ILS - 12V** : IN-LINE SLEEVE - (12" x 8") VERTICAL FRONT LOUVER
- **6ILS - 12H** : IN-LINE SLEEVE - (12" x 8") HORIZONTAL FRONT LOUVER
- **6ILS - 8F** : IN-LINE SLEEVE - (8" x 8") FRONT LOUVER

### PERFORMANCE DATA

For Use:

- Dryer exhaust
- Bathroom exhaust
- Kitchen hood exhaust
- Other devices that require exterior exhaust



Materials:

- Constructed from high temperature plastic.
- Material tested for use on high temperature appliance devices or components. (max sustainable operational temperature at 235°)
- UL 94-VO flame spread rating
- All materials made and fully assembled in the USA

### GENERAL INFORMATION

Benefits:

- Prevents exterior air from entering interior area
- Prevents mold & mildew\*
- Eliminates water intrusion\*\*
- Energy efficient
- Two step installation
- Greatly reduces labor cost
- Fits duct sizes up to 6" diameter
- 100% non corrosive material
- Sleeve designed not to interfere with structural reinforcement of exterior masonry walls

\*with proper interior environmental conditions

\*\*in accordance with manufacturer recommendations

Features:

- Interior monolithic cavity, positive pitch sidewalls
- Mounted flush with exterior building surface
- Paintable
- Gravity back draft damper
- Removable front louver for periodic maintenance and inspections
- Face louver is attached with stainless steel screws
- Impact resistant
- UV stabilized
- Available in White or Grey
- Designed for post construction installation

### MANUFACTURER

FSH Industries, LLC  
9737 N.W. 41st Street Suite 672  
Miami, Fl. 33178-2924

sales@xventbox.com  
www.xventbox.com