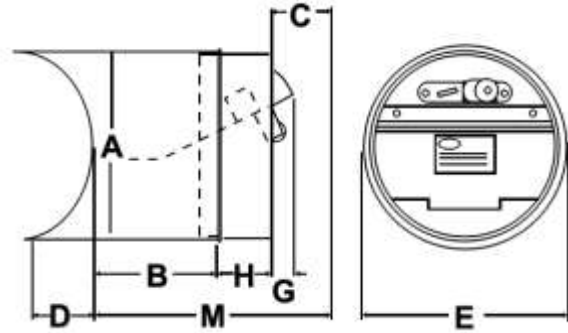


### MATERIAL GAUGES

| Size   | 4" | 5" | 6" | 7" | 8" | 9" |
|--------|----|----|----|----|----|----|
| RING   | 22 | 24 | 24 | 22 | 20 | 20 |
| GATE   | 24 | 24 | 24 | 24 | 20 | 20 |
| COLLAR | 26 | 26 | 26 | 26 | 26 | 26 |

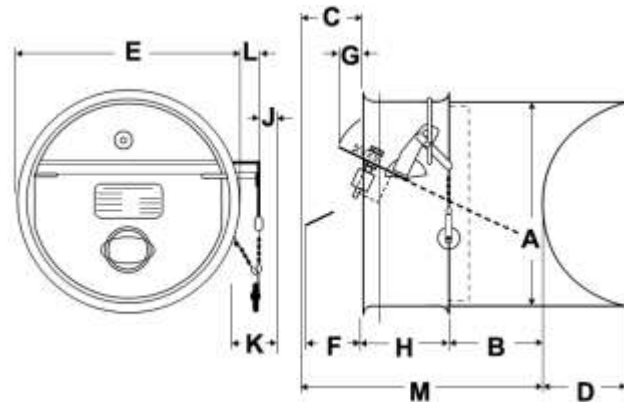


| Control Size | Nominal Capacity Sq. In. | Recommended Pipe Sizes (in.) |              | Dimensions (inches) |     |     |     |       |     |     |      |
|--------------|--------------------------|------------------------------|--------------|---------------------|-----|-----|-----|-------|-----|-----|------|
|              |                          | Dia.                         | Circum.      | A                   | B   | C   | D   | E     | G   | H   | M    |
| 4            | 12.6                     | 3-4-5                        | 9 ½ to 15 ¾  | 4                   | 2 ½ | 2   | 2 ⅝ | 4 ⅝   | 1   | 2 ½ | 7    |
| 5            | 19.6                     | 4-5-6                        | 12 ½ to 19   | 5                   | 2 ½ | 2   | 2 ⅝ | 5 ⅝   | 1   | 2 ½ | 7    |
| 6            | 28.3                     | 5-6-7                        | 15 ¾ to 22   | 6                   | 1 ⅞ | 3   | 2   | 6 ⅞   | 1   | 2 ¾ | 7 ⅞  |
| 7            | 38.5                     | 6-7-8                        | 19 to 25 ¼   | 7                   | 2 ⅞ | 3 ½ | 2 ½ | 7 ⅞   | 1   | 2 ¾ | 8 ⅞  |
| 8            | 50.3                     | 7-8-9                        | 22 to 28 ½   | 8                   | 4 ⅞ | 4   | 3 ⅞ | 8 1 ⅝ | 1 ½ | 2 ⅞ | 11   |
| 9            | 63.6                     | 8-9-10                       | 25 ¼ to 31 ½ | 9                   | 5 ⅞ | 4 ½ | 3 ⅞ | 9 1 ⅝ | 1 ½ | 2 ⅞ | 12 ¼ |

### MATERIAL GAUGES

| Size   | 10" | 12" | 14" | 16" | 18" | 20" | 24" | 28"  | 32"  |
|--------|-----|-----|-----|-----|-----|-----|-----|------|------|
| RING   | 20  | 20  | 20  | 18  | 18  | 18  | 18  | 16   | 16   |
| GATE   | 18  | 16  | 16  | 16  | 16  | 16  | 14  | 14   | 14   |
| COLLAR | 24* | 24* | 22* | 20* | 20* | 18* | 18* | 14** | 14** |

\* Galvanized      \*\*HRPO with Enamel Finish



| Control Size | Nominal Capacity Sq. In. | Recommended Pipe Sizes (in.) |              | Dimensions (inches) |     |   |     |    |     |     |     |   |     |   |      |
|--------------|--------------------------|------------------------------|--------------|---------------------|-----|---|-----|----|-----|-----|-----|---|-----|---|------|
|              |                          | Dia.                         | Circum.      | A                   | B   | C | D   | E  | F   | G   | H   | J | K   | L | M    |
| 10           | 78.5                     | 9 - 10                       | 28 ¼ to 31 ½ | 10                  | 4 ⅞ | 5 | 4 ¼ | 11 | 3 ⅞ | 1 ½ | 4 ¾ | 1 | 3 ½ | 1 | 14 ⅞ |