



**Aire Technologies, Inc**  
a DMI company

Aire Technologies, Inc.  
1502 Industrial Drive  
E. Monongahela, PA 15063

phone: 866.421.AIRE  
fax 724.310.1262

www.airetechnologies.com

# submittal

Job \_\_\_\_\_  
 Location \_\_\_\_\_  
 Submitted to \_\_\_\_\_  
 Submittal Prepared by \_\_\_\_\_  
 Approve Date \_\_\_\_\_  
 Date \_\_\_\_\_

## CRD Series 50 Rectangular

UL Classified - For use in installations rated 3 hours or less.

22Ga. 1 piece rollformed frame.

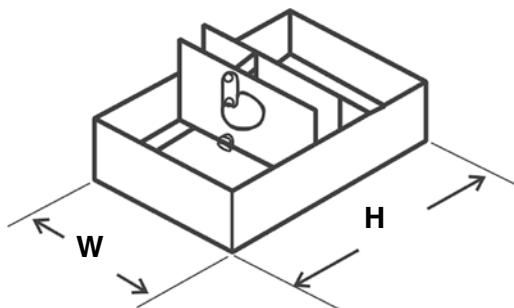
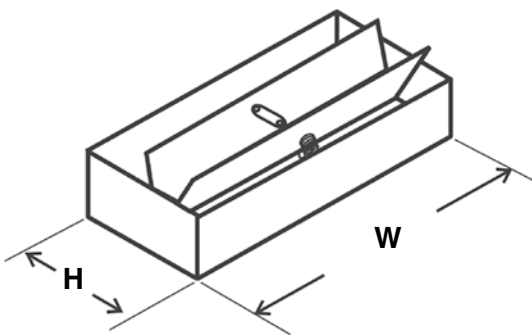
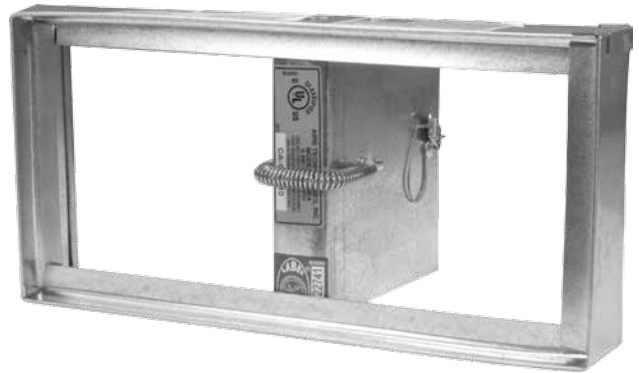
Standard fusible link - 165°  
(or w/optional 212°)

Standard Link attachment or  
Easy Access option

Ceramic Thermal Blanket provided on units with blade areas of greater than 80 sq. in.

Available in stainless steel

Available in single-section sizes from 4" x 6" or 6" x 4" to 24" x 24"



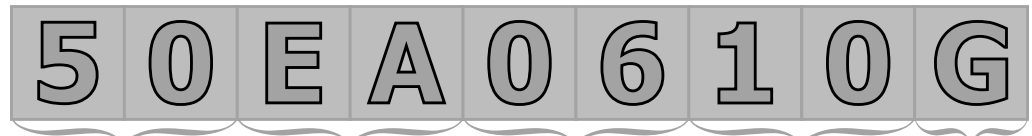
This product meets the requirements for ceiling dampers established by:

**UL Standards 263 & 555C**  
**NFPA Standard 90A**  
**ICC Building Codes**

S  
C  
E  
P  
S

Qty.	Damper Size		Fusible Link Temp (165°F) std.	Factory Boot Option					
	W	H		Type			Collar Size	Throat Depth	Flange/No Flange
				L	S	E			

## Part Number Format



**MODEL**

50 SERIES - CRD, RECTANGULAR, 3 Hour

**METHOD OF LINK ATTACHMENT**

SL - STANDARD LINK  
EA - EASY ACCESS LINK

DAMPER  
WIDTH

DAMPER  
HEIGHT

**MATERIAL & LINK TEMP.**

G - GALVANIZED, W/165° LINK  
H - GALVANIZED, W/212° LINK  
S - STAINLESS STEEL, W/165° LINK  
T - STAINLESS STEEL, W/212° LINK

submittal



**AireTechnologies, Inc.**  
a DMI company

AireTechnologies, Inc.  
1502 Industrial Drive  
E. Monongahela, PA 15063

phone: 866.421.AIRE  
fax 724.310.1262

www.airetechnologies.com