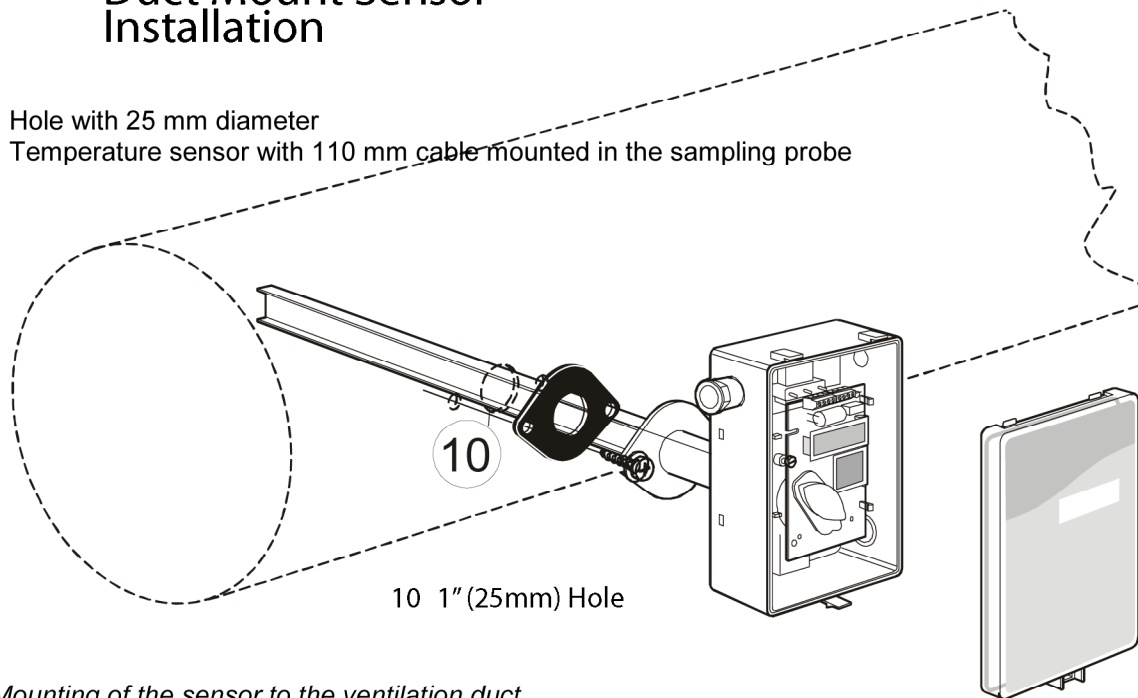


Duct Mount Sensor Installation

- 10 Hole with 25 mm diameter
- 11 Temperature sensor with 110 mm cable mounted in the sampling probe



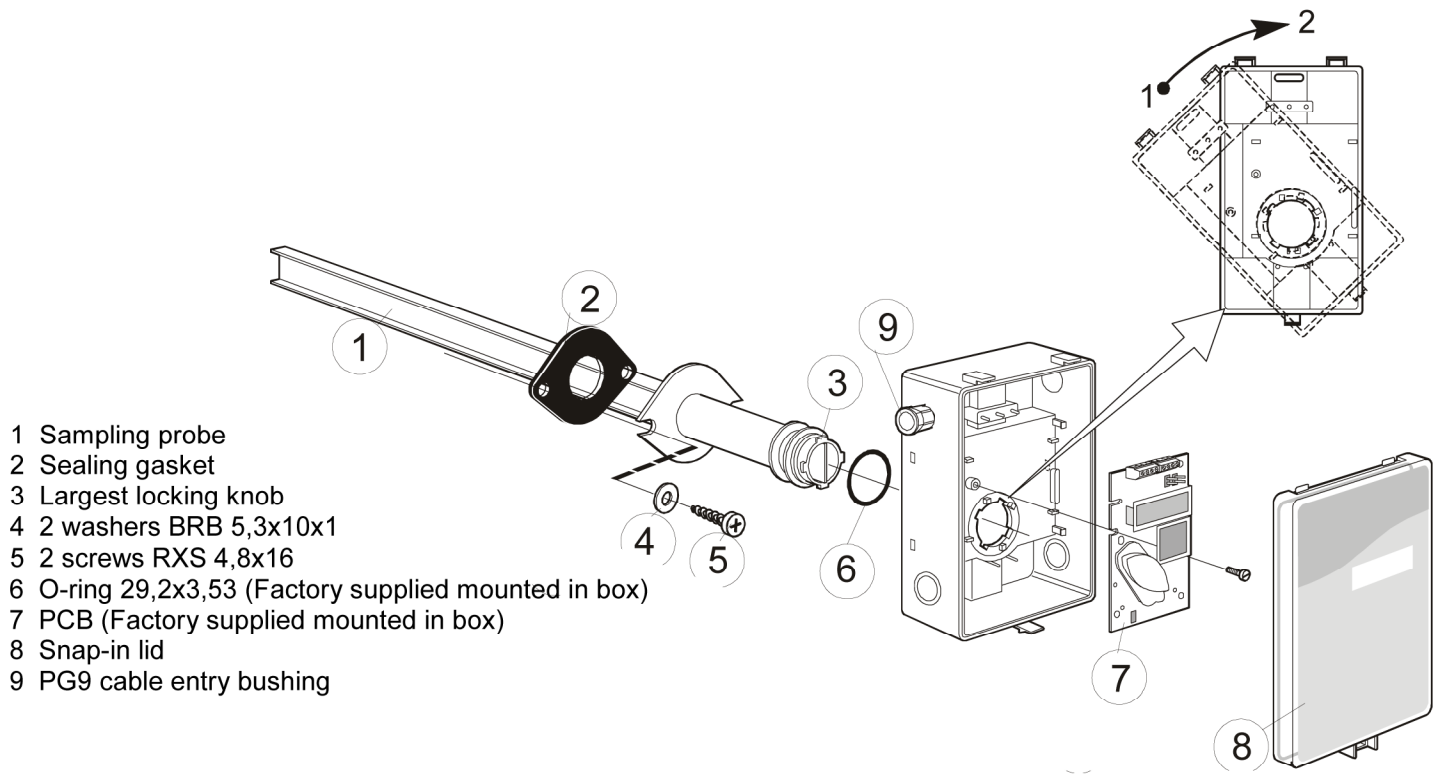
Mounting of the sensor to the ventilation duct

Mounting Instruction

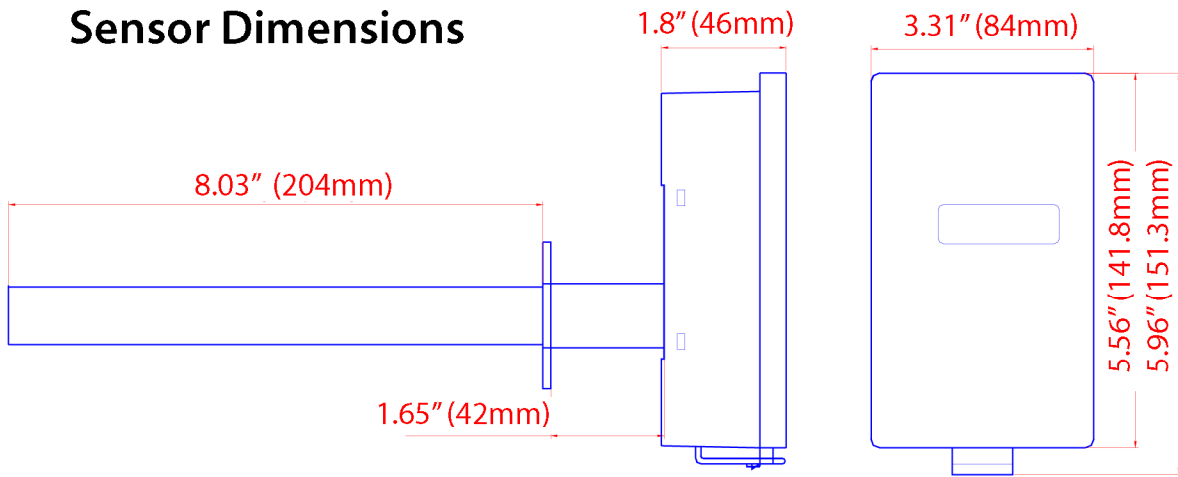
Since there might be a substantial pressure difference in duct mounting applications, it is essential to avoid ambient air from suction into the duct-mounting box. For correct function it is indispensable that the sealing of the box cover, the cable entry bushings, the cable feed through and the duct entrance are absolutely tight. The duct entrance may need extra sealing paste in order to prevent leakage. The PCB must be handled carefully and protected from electrostatic discharge.

- 1) **Electrical cable entry:** The box has a factory mounted cable entry bushing in dimension PG9. Never feed more than one cable through each cable entry bushing, or else gas might leak through!
- 2) **Mounting the tube:** Drill a hole (10) 1 inch in diameter (or 25 mm) for the sampling probe and two holes with 0.25" diameter for the screws (5) into the air duct and mount the tube (1) with the gasket (2). The sampling probe should be mounted with the largest locking knob on top. The unit can be mounted with the air coming from the left or right.
- 3) **Attaching the sensor box** is made to the sampling probe by a snap-in bayonet fitting. Orient the box onto the sampling probe so that the box upside is on the same side as the largest locking knob (3). When the probe is fitted into the notches of the box, then turn the box clockwise until stop (see Figure 1). Position 1 indicates *open* where the box can be removed from the sampling probe. In position 2 the box is locked to the probe.

CO₂ transmitter for mounting in ventilation ducts



Sensor Dimensions



Probe Dimensions

