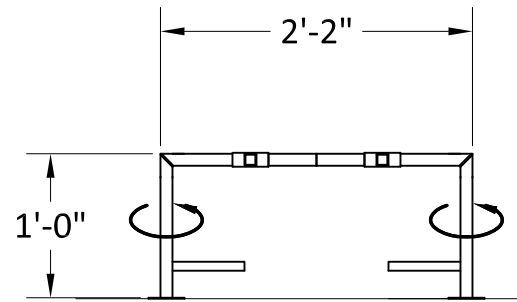


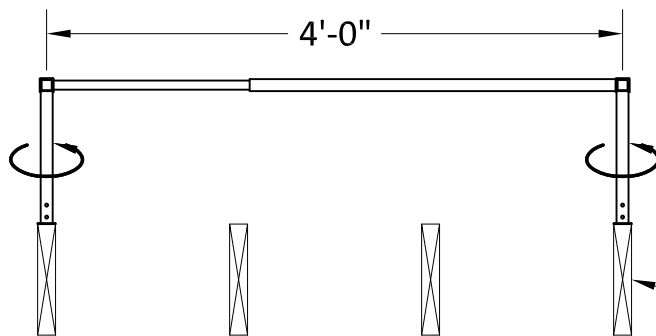
Existing joist

End View - Expanded



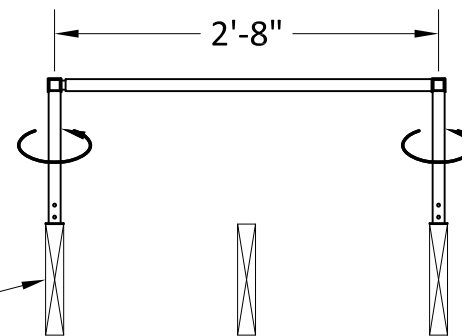
Existing joist

End View - Retracted



Side View - Expanded
(Legs Retracted)

Existing Joists



Side View - Retracted
(Legs Retracted)



ASSEMBLY DRAWING
"QUICK STAND"
QSTD1000
U.S. Patent No. 8,827,232 B2

www.quick-sling.com
email: info@quick-sling.com
fax: 1-(800)-699-0423

Quick Sling, LLC
391 W. Water Street
Taunton, MA 02780
1-(800)-699-0453