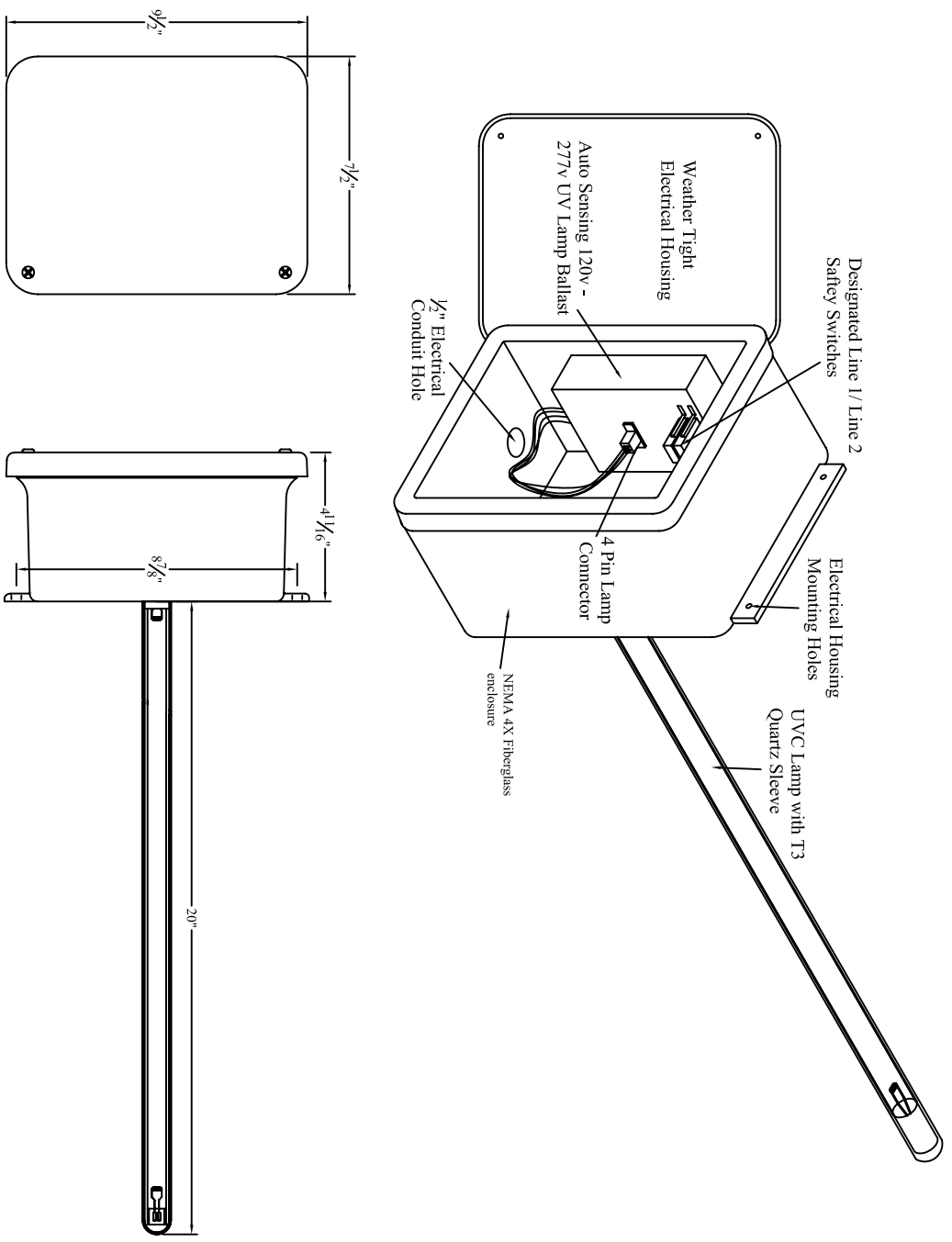


Specifications

Electrical Housing: NEMA 4X water tight enclosure
Power Consumption: 25A @ 120 VAC
Auto Sensing 120v - 277 VAC 50/60 Hz.
Lamps: 1 - 22" Lamp w/ T3 Quartz



Ultravation, Inc.

212 Ideal Way.
 Poulinsey Vermont 05764.
 Ph: 802-287-9735
 Fx: 802-287-9203
 www.Ultravation.com

Part #: UVMatrix 4X-122 | Drawing #: DC-11-324 | Rev -*

Description: Outdoor UV System with 22" lamp wrapped in
 out T3 Quartz 120-277 VAC

Date: 3/7/08 | Scale: | Creator: JSM