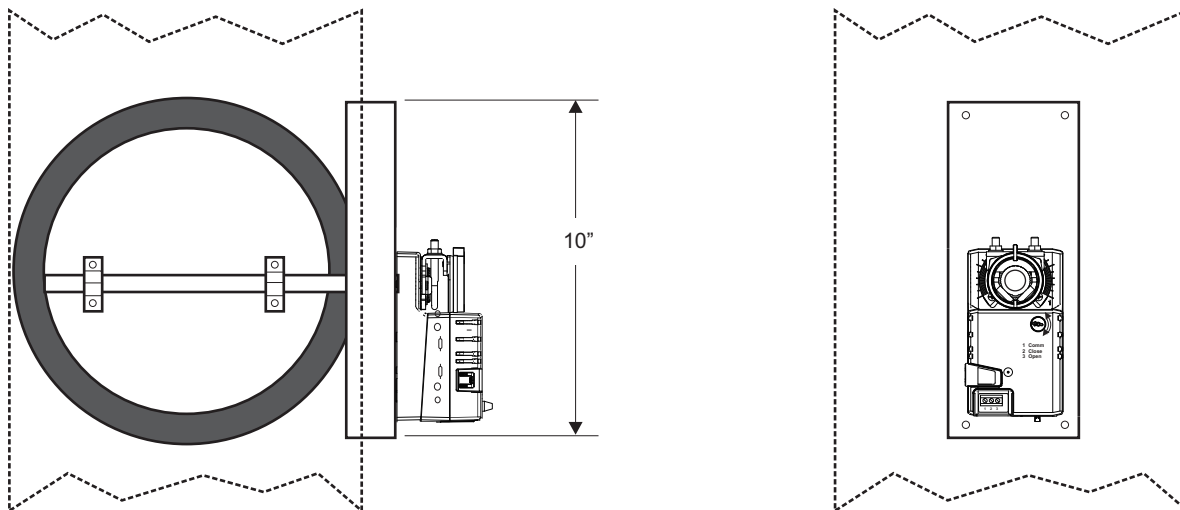


SPECIFICATION SHEET

CRD-XX 3-WIRE RETRO DAMPER™

Motorized Zone Control Dampers

For Carrier® and Bryant® Infinity™ and Evolution™ zoning systems



SPECIFICATIONS

DIMENSIONS:

Damper models RD-XX are available in standard sizes of 5", 6", 7", 8", 9" and 10"

APPLICATION:

Compatible for Carrier® and Bryant® Infinity™ and Evolution™ zone control systems.

CONSTRUCTION:

- 18 gauge steel blade
- 5/8" solid aluminum shaft
- Air tight blade seals
- Minimum position adjustment

ELECTRICAL:

- 24 Volt, 2.1 VA
- 3-wire
- 18 lb.-in.torque
- 15 second timing

Drawings are intended to show general, overall product dimensions and provide guidance for installation clearance. Drawings are not to scale. IO HVAC Controls reserves the right to make product changes without notification or obligation.